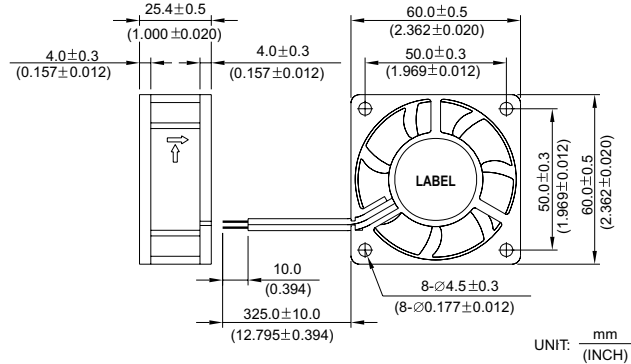


AFB 60 x 60 x 25.4 MM SERIES

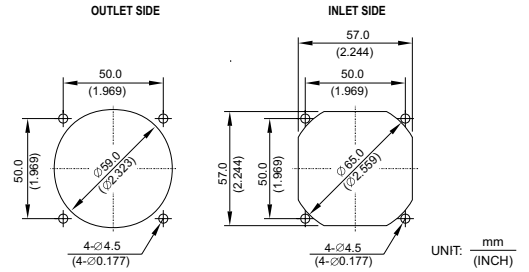
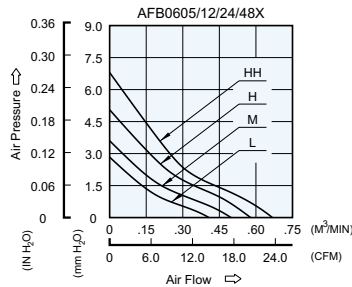
DIMENSIONS DRAWING



UNIT: $\frac{\text{mm}}{\text{(INCH)}}$

P & Q CURVE (AT RATED VOLTAGE)

MOUNTING PANEL CUTOUT:



UNIT: $\frac{\text{mm}}{\text{(INCH)}}$

- * Bearing Type
Two Ball Bearings
- * Material
Impeller & Frame : Plastic (UL 94V-0)
- * Lead Wires :
UL 1007 AWG #24 Or Equivalent
Red Wire Positive (+)
Black Wire Negative (-)
- * Weight : 77g (2.72 oz)

MODEL		Rated Voltage	Operating Voltage Range	Rated Current	Rated Input Power	Speed	Maximum Air Flow		Maximum Air Pressure		Noise
TWO BALLS	FUNCTION	VDC	VDC	Amp	Watt	R.P.M.	m ³ /min	CFM	mmH ₂ O	IN H ₂ O	dB-A
AFB0605L	-R00 / -F00	5	4.5 to 5.5	0.15	0.75	3100	0.400	14.13	2.74	0.108	22.5
AFB0612L	-R00 / -F00	12	7.0 to 13.8	0.06	0.72						
AFB0624L	-R00 / -F00	24	14.0 to 27.6	0.05	1.20						
AFB0648L	-R00 / -F00	48	28.0 to 56.0	0.04	1.92						
AFB0605M	-R00 / -F00	5	4.5 to 5.5	0.22	1.10	3600	0.460	16.24	3.60	0.141	24.5
AFB0612M	-R00 / -F00	12	7.0 to 13.8	0.08	0.96						
AFB0624M	-R00 / -F00	24	14.0 to 27.6	0.06	1.44						
AFB0648M	-R00 / -F00	48	28.0 to 56.0	0.04	1.92						
AFB0605H	-R00 / -F00	5	4.5 to 5.5	0.31	1.55	4250	0.550	19.42	4.90	0.193	28.0
AFB0612H	-R00 / -F00	12	7.0 to 13.8	0.12	1.44						
AFB0624H	-R00 / -F00	24	14.0 to 27.6	0.08	1.92						
AFB0648H	-R00 / -F00	48	28.0 to 56.0	0.05	2.40						
AFB0612HH	-R00 / -F00	12	7.0 to 13.8	0.18	2.16	5000	0.650	22.95	6.96	0.274	33.0
AFB0624HH	-R00 / -F00	24	14.0 to 27.6	0.09	2.16						
AFB0648HH	-R00 / -F00	48	28.0 to 56.0	0.06	2.88						

* Function type is optional.
 * The max. air flow and the speed are measured in free air ; max. air pressure is measured at zero air flow.
 * Noise is measured in anechoic chamber in free air, one meter from intake side.
 * All readings are typical values at rated voltage.
 * Specifications are subject to change without notice.