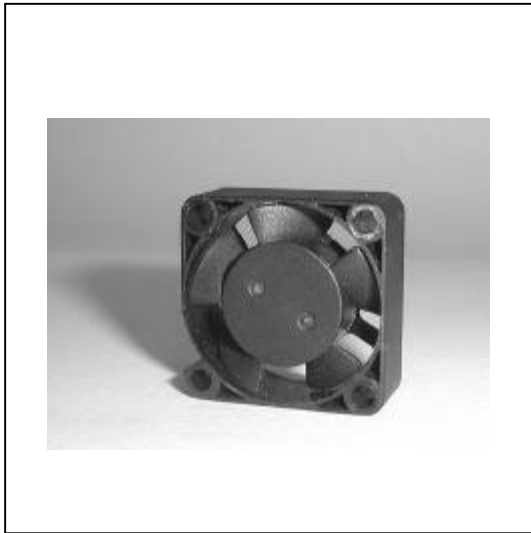
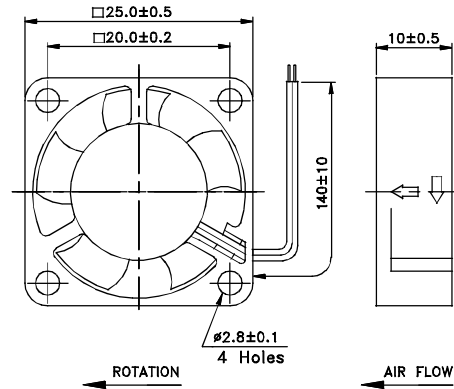


AD2510 SERIES



External Dimensions



Frame: Plastic (UL:94v-0)
 Impeller: Plastic (UL:94v-0)
 Bearing: Hypro bearing
 Lead wire: UL1571 AWG28

OPERATING TEMP*: -10°C~70°C

*: -10°C~60°C for fans with sleeve/ball combination bearings.

Spot cooling, also suitable for small space requirements, laptops PC and notebook, etc.,

Specifications(Nominal)

*Noise is measured at the distance of one (1) meter from the axis of intake.

Bearing type: i Ball i Sleeve i 1B1S i Hypro bearing

Frame size	Model No.	Bearing Type	Voltage (v)	Current (A)	Power (W)	Speed (rpm)	AirFlow (CFM)	Pressure (mmAq)	Noise (dB/A)	Weight (g)
25x25x10	AD0205HB-G50(GL) i	i	5	0.14	0.70	12000	2.8	8.34	28.0	8
	AD0205HX-G50(GL) i	i	5	0.18	0.90	12000	2.8	8.34	28.0	
	AD0205LB-G50(DGL) i	i	5	0.07	0.35	6500	1.4	2.26	12.0	
	AD0205LB-G50(GL) i i i i	i i i i	5	0.1	0.50	8000	1.8	4.10	15.6	
	AD0205MB-G50(GL) i	i	5	0.12	0.60	10000	2.3	6.12	23.1	
	AD0205MX-G50(GL) i	i	5	0.12	0.60	10000	2.3	6.12	23.1	
	AD0212HB-G50(GL) i	i	12	0.09	1.08	12000	2.6	7.85	29.1	
	AD0212HX-G50(GL) i	i	12	0.09	1.08	12000	2.8	8.34	28.0	
	AD0212LB-G50(GL) i	i	12	0.07	0.84	8000	1.8	3.99	17.7	
	AD0212LX-G50(GL) i	i	12	0.07	0.84	8000	1.8	4.10	15.6	
AD0212MB-G50(GL) i	i	12	0.08	0.96	10000	2.0	4.95	25.0		

In Stock

Specifications subject to change without notice

*Motor protective circuit and third lead wire

0	1	2	3	4	5
✓			✓		
6	7	8	9	A	B
✓					

*Safety approvals

✓	✓			✓